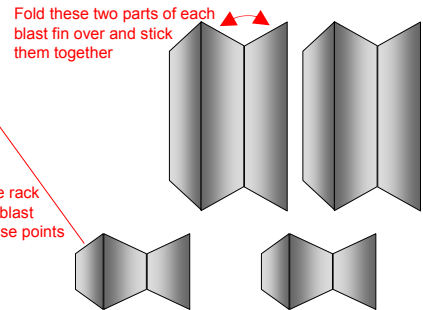
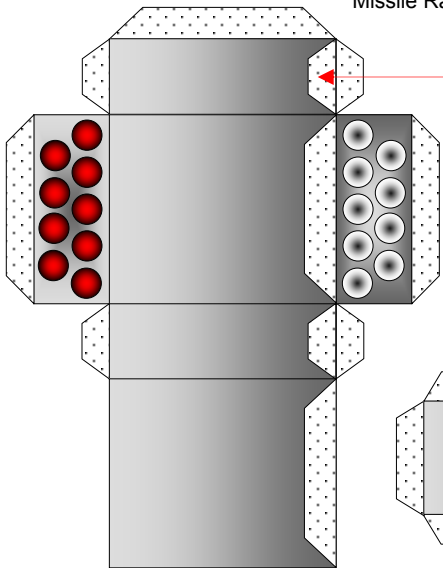
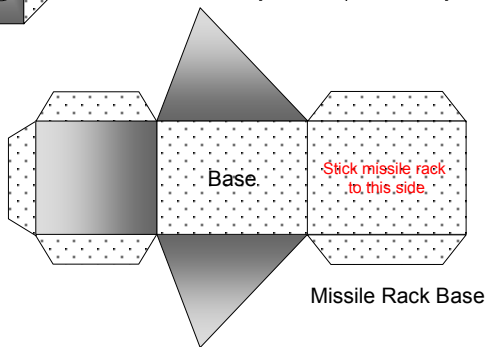


Missile Rack

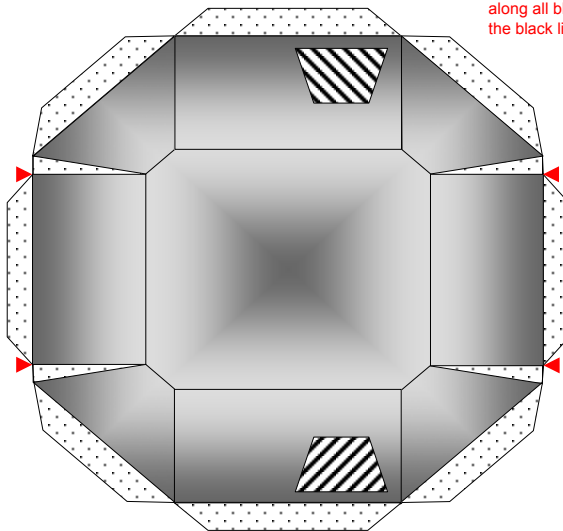


Once missile rack is built stick blast fins onto these points

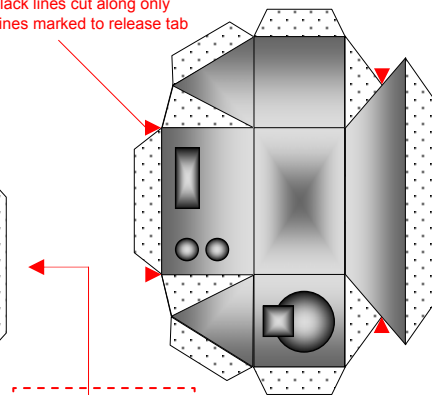


Missile Rack Base

After cutting out parts and scoring along all black lines cut along only the black lines marked to release tab



Hover Skirt



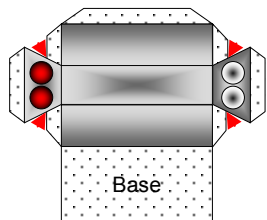
Missile Cockpit



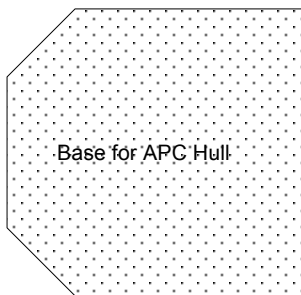
APC Hatch

Stick the APC hatch to the rear panel of the hover skirt to match up with the hatch on the APC hull

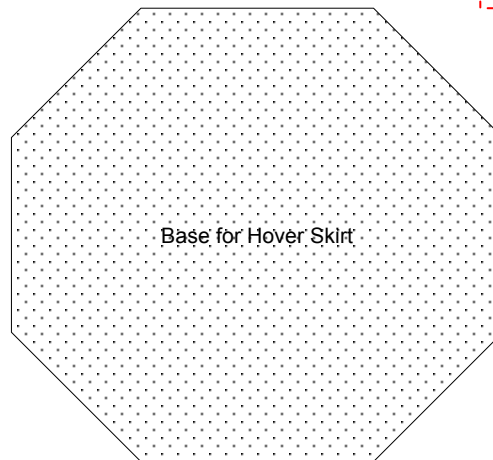
APC Hull alternative to Use with Hover Skirt



APC Missile Launcher



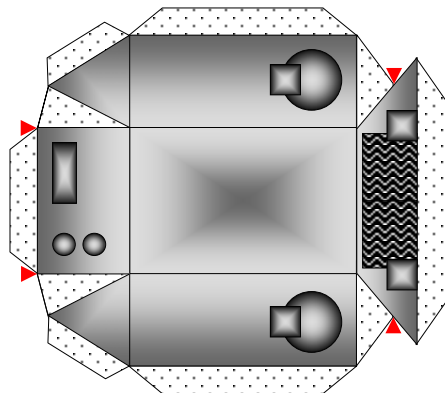
Base for APC Hull



Base for Hover Skirt

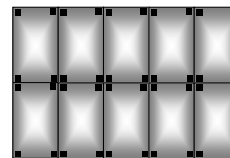


Base for Missile Cockpit



APC Hull

Missile Tank / APC
15mm Model
Available Free from
Germ's World
www.germy.co.uk



Reactive Armour Panels and other decoration

